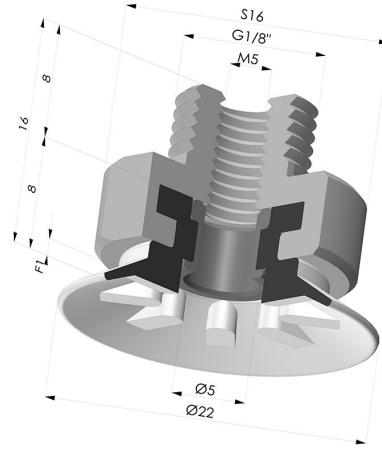


TECHNICAL INFORMATION

- Range :** Suction cup
Category : Plates
Series : 90
Height (in mm) : 16
Shape : Plate
Contact lip diameter : 22 mm
inner barrel diameter : Male G1/8"
Number of bellows : 0.5 Bellows
Horizontal force : 16 N
Vertical force : 8 N
Arrow : 1 mm



Variants:



Variant reference:

90 20SLT M18

- Color: Translucent
- CE food certified
- Matter: Silicone
- Shore Hardness: SH60

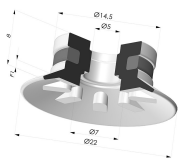


Variant reference:

90 20NI M18

- Color: Black
- Matter: Nitrile
- Shore Hardness: SH50

Related products:



Flat Suction Cup Series 90, Ø 20 mm

Product reference: 90 20-- A



Crimped Male Fitting 1/8G

Product reference: 9P18A



Rivet for Fitting 9P18A - Aluminium

Product reference: 9P18A RIV