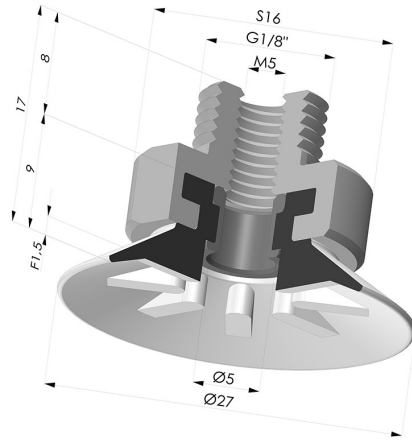


**TECHNICAL INFORMATION**

- Range :** Suction cup  
**Category :** Plates  
**Series :** 90  
**Height (in mm) :** 17  
**Shape :** Plate  
**Contact lip diameter :** 27  
**inner barrel diameter :** M5  
**Number of bellows :** 0.5 Bellows  
**Horizontal force :** 24 N  
**Vertical force :** 12 N  
**Arrow :** 1.5 mm



**Variants:**



- Variant reference:  
**90 25SLT M18**
- Color: Translucent
  - CE food certified
  - Matter: Silicone
  - Shore Hardness: SH60

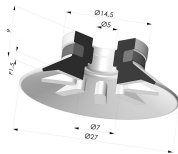


- Variant reference:  
**90 25NI M18**
- Color: Black
  - Matter: Nitrile
  - Shore Hardness: SH50



- Variant reference:  
**90 25PU M18**
- Color: Blue
  - Matter: PU
  - Shore Hardness: SH60

**Related products:**



**Flat Suction Cup Series 90, Ø 25 mm**

Product reference: 90 25-- A



**Crimped Male Fitting 1/8G**

Product reference: 9P18A



**Rivet for Fitting 9P18A - Aluminium**

Product reference: 9P18A RIV