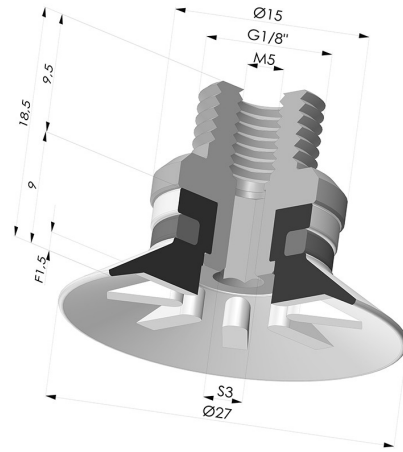


TECHNICAL INFORMATION

- Range :** Suction cup
Category : Plates
Series : 90
Height (in mm) : 18.5
Shape : Plate
Contact lip diameter : 27 mm
inner barrel diameter : M5
Number of bellows : 0.5 Bellows
Horizontal force : 25.40
Vertical force : 12.70
Arrow : 1.5 mm



Variants:



Variant reference:
90 25SLT M18D

- Color: Translucent
- CE food certified
- Matter: Silicone
- Shore Hardness: SH60



Variant reference:
90 25NI M18D

- Color: Black
- Matter: Nitrile
- Shore Hardness: SH50



Variant reference:
90 25SL M18D

- Color: Red food-grade CE certification
- Matter: Silicone
- Shore Hardness: SH60



Variant reference:
90 25TPU M18D

- Color: Translucent
- Matter: Thermoplastic
- Shore Hardness: SH70

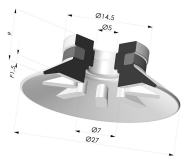
Material guide:

	Material	Code	Temperature resistance (°C)	Flexibility	Abrasion resistance	UV/Weather resistance	Oil resistance	Food compatibility	Migration test
	Silicone Translucent (Shore SH60)	SL T	-60/+250	✓✓✓	✓	✓✓✓	✓	FDA **	✗
	Nitrile Black (Shore SH50)	NI	-10/+80	✓	✓	✗	✓✓	✗	✗
	Silicone Red food-grade CE certification (Shore SH60)	SL	-60/+250	✓✓✓	✗	✓✓✓	✗	FDA **	A, B, D2
	Thermoplastic Translucent (Shore SH70)	TPU	-20/+80	✓	✓✓✓	✓	✓✓	✗	✗

Requests for FDA and/or EC certificates must be made AT THE TIME OF ORDER. Any later request will incur additional charges. To meet the expectations of our industrial customers, NOVACOM offers the widest range of elastomer and thermoplastic materials. We can also develop new materials based on precise specifications, in order to solve specific applications for our customers.

Excellent | Good | Low | Poor | Not recommended
 *FDA and/or EC certificate may be requested for various references at the time of order; please contact us.
 ** Food contact certification: (EC) 1935/2004 - (FDA) 21 CFR 177.2600
 *** Food contact certification: (EC) 10/2011 - (FDA) 21 CFR

Related products:



Flat Suction Cup Series 90, Ø 25 mm

Product reference: 90 25-- A



Separable Male Fitting G1/8"

Product reference: 9P18