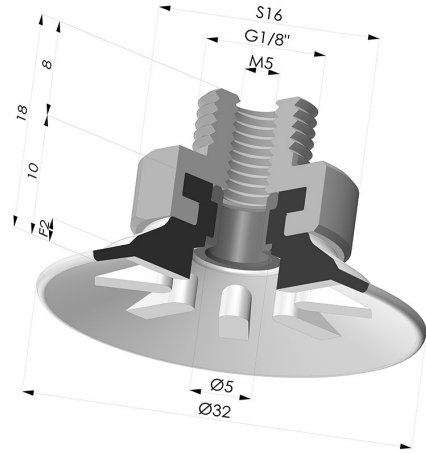


TECHNICAL INFORMATION

- Range :** Suction cup
Category : Plates
Series : 90
Height (in mm) : 18
Shape : Plate
Contact lip diameter : 32
inner barrel diameter : M5
Number of bellows : 0.5 Bellows
Horizontal force : 33 N
Vertical force : 17 N
Arrow : 2 mm



Variants:



- Variant reference:
90 30PU M18
- Color: Blue
 - Matter: Polyurethane
 - Shore Hardness: SH60



- Variant reference:
90 30SL M18
- Color: Red food-grade CE certification
 - Matter: Silicone
 - Shore Hardness: SH60



- Variant reference:
90 30SLT M18
- Color: Translucent
 - CE food certified
 - Matter: Silicone
 - Shore Hardness: SH60



- Variant reference:
90 30NI M18
- Color: Black
 - Matter: Nitrile
 - Shore Hardness: SH50



- Variant reference:
90 30TPU M18
- Color: Translucent
 - Matter: Thermoplastic
 - Shore Hardness: SH70

Material guide:

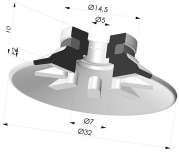
	Material	Code	Temperature resistance (°C)	Flexibility	Abrasion resistance	UV/Weather resistance	Oil resistance	Food compatibility	Migration test
	Polyurethane Blue (Shore SH60)	PU	-20/+80	✓	✓✓✓	✓✓	✓✓	✗	✗
	Silicone Red food-grade CE certification (Shore SH60)	SL	-60/+250	✓✓✓	✗	✓✓✓	✗	FDA **	A, B, D2
	Silicone Translucent (Shore SH60)	SL T	-60/+250	✓✓✓	✓	✓✓✓	✓	FDA **	✗
	Nitrile Black (Shore SH50)	NI	-10/+80	✓	✓	✗	✓✓	✗	✗

	Thermoplastic Translucent (Shore SH70)	TPU	-20/+80	✓	✓✓✓	✓	✓✓	✗	✗
--	--	-----	---------	---	-----	---	----	---	---

Requests for FDA and/or EC certificates must be made AT THE TIME OF ORDER. Any later request will incur additional charges. To meet the expectations of our industrial customers, NOVACOM offers the widest range of elastomer and thermoplastic materials. We can also develop new materials based on precise specifications, in order to solve specific applications for our customers.

✓✓✓ Excellent | ✓✓ Good | ✓ Low | ✗ Poor | ✗✗ Not recommended
 *FDA and/or EC certificate may be requested for various references at the time of order; please contact us.
 ** Food contact certification: (EC) 1935/2004 - (FDA) 21 CFR 177.2600
 *** Food contact certification: (EC) 10/2011 - (FDA) 21 CFR

Related products:



Flat Suction Cup Series 90, Ø 30 mm

Product reference: 90 30-- A



Crimped Male Fitting 1/8G

Product reference: 9P18A



Rivet for Fitting 9P18A - Aluminium

Product reference: 9P18A RIV