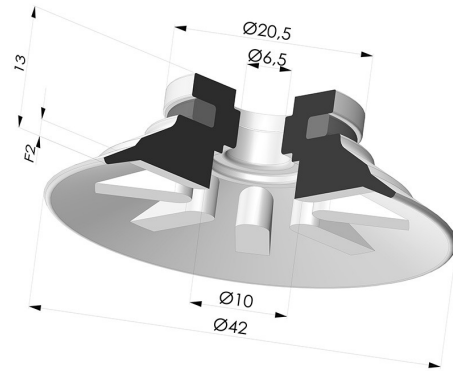


**TECHNICAL INFORMATION**

- Range :** Suction cup  
**Category :** Plates  
**Series :** 90  
**Height (in mm) :** 13  
**Shape :** Plate  
**Contact lip diameter :** 42  
**inner barrel diameter :** 6.5  
**Number of bellows :** 0.5 Bellows  
**Horizontal force :** 60 N  
**Vertical force :** 30 N  
**Arrow :** 2 mm



**Variants:**



Variant reference:  
**90 40PU A**

- Color: Blue
- Matter: Polyurethane
- Shore Hardness: SH60



Variant reference:  
**90 40SL A**

- Color: Red food-grade CE certification
- Matter: Silicone
- Shore Hardness: SH60



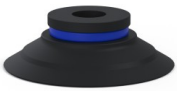
Variant reference:  
**90 40SLT A**

- Color: Translucent
- CE food certified
- Matter: Silicone
- Shore Hardness: SH60



Variant reference:  
**90 40TPU A**

- Color: Translucent
- Matter: Thermoplastic
- Shore Hardness: SH60



Variant reference:  
**90 40NI A**

- Color: Black
- Matter: Nitrile
- Shore Hardness: SH50

**Related products:**

**Flat Suction Cup  
Series 90, Ø 40 mm**  
Product reference: 90  
40-- 14D-2

**Flat Suction Cup  
Series 90, Ø 40 mm**  
Product reference: 90  
40-- 14D-2-F

**Flat Suction Cup  
Series 90, Ø 40 mm**  
Product reference: 90  
40-- 14D-2-GIC

**Flat Suction Cup  
Series 90, Ø 40 mm**  
Product reference: 90  
40-- 14D-2-PAL

**Flat Suction Cup  
Series 90, Ø 40 mm**  
Product reference: 90  
40-- 18D-2

**Flat Suction Cup  
Series 90, Ø 40 mm**  
Product reference: 90  
40-- 18D-2-F

**Flat Suction Cup  
Series 90, Ø 40 mm**  
Product reference: 90  
40-- 18D-2-GIC

**Flat Suction Cup  
Series 90, Ø 40 mm**  
Product reference: 90  
40-- 18D-2-PAL

**Flat Suction Cup  
Series 90, Ø 40 mm**  
Product reference: 90  
40-- 18D-3-BD

**Flat Suction Cup  
Series 90, Ø 40 mm**  
Product reference: 90  
40-- 38D-2

**Flat Suction Cup  
Series 90, Ø 40 mm**  
Product reference: 90  
40-- 38D-2-F

**Flat Suction Cup  
Series 90, Ø 40 mm**  
Product reference: 90  
40-- 38D-2-GIC

**Flat Suction Cup  
Series 90, Ø 40 mm**  
Product reference: 90  
40-- 38D-2-PAL