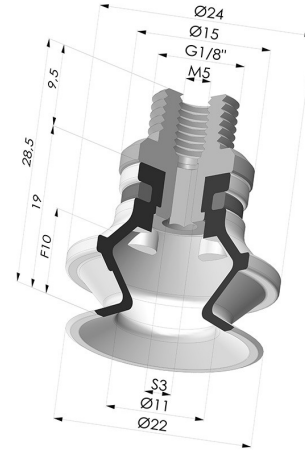


TECHNICAL INFORMATION

Range :	Suction cup
Category :	With bellows
Series :	91
Height (in mm) :	28.5
Shape :	1.5 Bellows
Contact lip diameter :	22.2 mm
inner barrel diameter :	M5
Number of bellows :	1.5 Bellows
Horizontal force :	13 N
Vertical force :	6.5 N
Arrow :	10 mm



Variants:



Variant reference:
91 20PU M18D

- Color: Blue
- Matter: Polyurethane
- Shore Hardness: SH60



Variant reference:
91 20SL M18D

- Color: Red food-grade CE certification
- Matter: Silicone
- Shore Hardness: SH60



Variant reference:
91 20SLT M18D

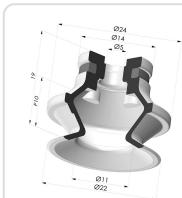
- Color: Translucent
- CE food certified
- Matter: Silicone
- Shore Hardness: SH60



Variant reference:
91 20NI M18D

- Color: Black
- Matter: Nitrile
- Shore Hardness: SH50

Related products:



Bellows Suction Cup 1.5 folds Series 91, Ø 20 mm

Product reference: 91 20-- A



Separable Male Fitting G1/8"

Product reference: 9P18