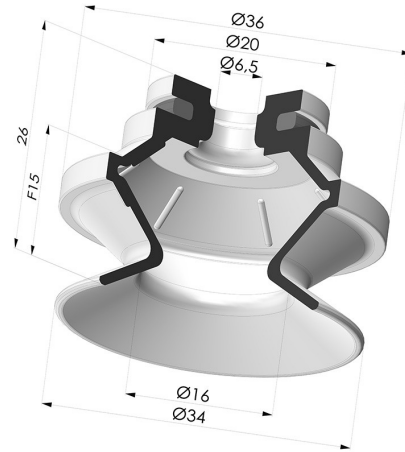


TECHNICAL INFORMATION

- Range :** Suction cup
Category : With bellows
Series : 91
Height (in mm) : 26
Shape : 1.5 Bellows
Contact lip diameter : 34 mm
inner barrel diameter : 6.5mm
Number of bellows : 1.5 Bellows
Horizontal force : 38 N
Vertical force : 19 N
Arrow : 15 mm



Variants:



- Variant reference:
91 31NI A
 • Color: Black
 • Matter: Nitrile



- Variant reference:
91 31PU A
 • Color: Blue
 • Matter: Polyurethane
 • Shore Hardness: SH60



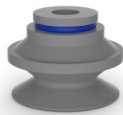
- Variant reference:
91 31SL A
 • Color: Red food-grade CE certification
 • Matter: Silicone
 • Shore Hardness: SH60



- Variant reference:
91 31SLT A
 • Color: Translucent
 • CE food certified
 • Matter: Silicone
 • Shore Hardness: SH60



- Variant reference:
91 31MNT A
 • Color: Bordeaux
 • Matter: Non-staining material
 • Shore Hardness: SH60



- Variant reference:
91 31NR A
 • Color: Gray
 • Matter: Natural rubber
 • Shore Hardness: SH50



- Variant reference:
91 31TPU A
 • Color: Translucent
 • Matter: Thermoplastic
 • Shore Hardness: SH70

Material guide:

	Material	Code	Temperature resistance (°C)	Flexibility	Abrasion resistance	UV/Weather resistance	Oil resistance	Food compatibility	Migration test
	Polyurethane Blue (Shore SH60)	PU	-20/+80	✓	✓✓✓	✓✓	✓✓	✗	✗
	Silicone Red food-grade CE certification (Shore SH60)	SL	-60/+250	✓✓✓	✗	✓✓✓	✗	FDA **	A, B, D2
	Silicone Translucent (Shore SH60)	SL T	-60/+250	✓✓✓	✓	✓✓✓	✓	FDA **	✗
	Non-staining material Bordeaux (Shore SH60)	MNT	-20/+160	✓	✓	✓✓✓	✓✓✓	✗	✗

