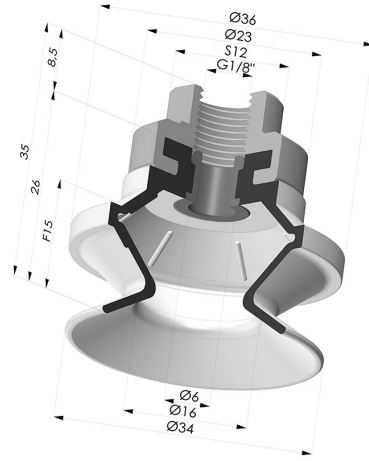


**TECHNICAL INFORMATION**

- Range :** Suction cup  
**Category :** With bellows  
**Series :** 91  
**Height (in mm) :** 31  
**Shape :** 1.5 Bellows  
**Contact lip diameter :** 34 mm  
**inner barrel diameter :** Female G1/8"  
**Number of bellows :** 1.5 Bellows  
**Horizontal force :** 38 N  
**Vertical force :** 19 N  
**Arrow :** 15 mm



**Variants:**



Variant reference:  
**91 31SL F18**

- Color: Red food-grade CE certification
- Matter: Silicone
- Shore Hardness: SH60



Variant reference:  
**91 31NI F18**

- Color: Black
- Matter: Nitrile
- Shore Hardness: SH50



Variant reference:  
**91 31MNT F18**

- Color: Bordeaux
- Matter: Non-staining material
- Shore Hardness: SH60



Variant reference:  
**91 31PU F18**

- Color: Blue
- Matter: Polyurethane
- Shore Hardness: SH60



Variant reference:  
**91 31NR F18**

- Color: Gray
- Matter: Natural rubber
- Shore Hardness: SH50



Variant reference:  
**91 31SLT F18**

- Color: Translucent
- CE food certified
- Matter: Silicone
- Shore Hardness: SH60



Variant reference:  
**91 31SLT F18**

- Color: Translucent
- CE food certified
- Matter: Silicone
- Shore Hardness: SH40



Variant reference:  
**91 31TPU F18**

- Color: Translucent
- Matter: Thermoplastic
- Shore Hardness: SH70



Variant reference:  
**91 31SLDB F18**

- Color: Blue food-grade CE certification
- Matter: Detectable silicone
- Shore Hardness: SH60

## Related products:

