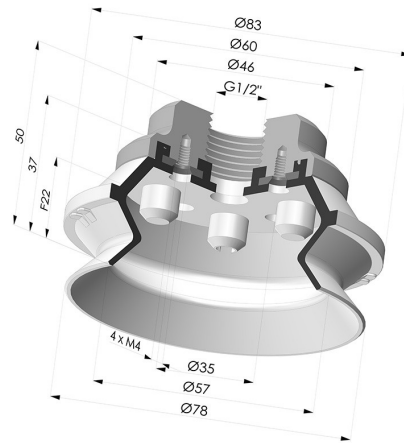


TECHNICAL INFORMATION

Range :	Suction cup
Category :	With bellows
Series :	91
Height (in mm) :	50
Shape :	1.5 Bellows
Contact lip diameter :	75 mm
inner barrel diameter :	Female G1/2"
Number of bellows :	1.5 Bellows
Horizontal force :	200 N
Vertical force :	100 N
Arrow :	22 mm



Variants:



Variant reference:

91 75NI F12

- Color: Black
- Matter: Nitrile
- Shore Hardness: SH50

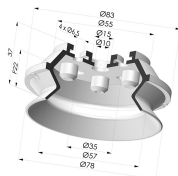


Variant reference:

91 75SLT F12

- Color: Translucent
- CE food certified
- Matter: Silicone
- Shore Hardness: SH60

Related products:



Bellows Suction Cup 1.5 folds Series 91, Ø 75 mm

Product reference: 91 75-- A