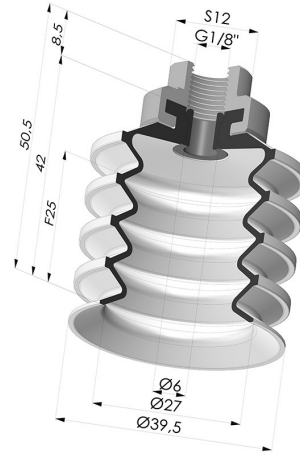


**TECHNICAL INFORMATION**

- Range :** Suction cup  
**Category :** With bellows  
**Series :** 92  
**Height (in mm) :** 50.5  
**Shape :** 4.5 Bellows  
**Contact lip diameter :** 40 mm  
**inner barrel diameter :** Female G1/8"  
**Number of bellows :** 4.5 Bellows  
**Horizontal force :** 51 N  
**Vertical force :** 25.5 N  
**Arrow :** 25 mm



**Variants:**



- Variant reference:  
**92 40NI F18**
- Matter: Nitrile
  - Shore Hardness: SH50



- Variant reference:  
**92 40SL F18**
- Color: Red food-grade CE certification
  - Matter: Silicone
  - Shore Hardness: SH60



- Variant reference:  
**92 40SLT F18**
- Color: Translucent
  - CE food certified
  - Matter: Silicone
  - Shore Hardness: SH60

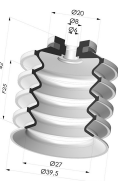
**Material guide:**

	Material	Code	Temperature resistance (°C)	Flexibility	Abrasion resistance	UV/Weather resistance	Oil resistance	Food compatibility	Migration test
	Silicone Red food-grade CE certification (Shore SH60)	SL	-60/+250	✓✓✓	✗	✓✓✓	✗	FDA  **	A, B, D2
	Silicone Translucent (Shore SH60)	SL T	-60/+250	✓✓✓	✓	✓✓✓	✓	FDA  **	✗

Requests for FDA and/or EC certificates must be made AT THE TIME OF ORDER. Any later request will incur additional charges. To meet the expectations of our industrial customers, NOVACOM offers the widest range of elastomer and thermoplastic materials. We can also develop new materials based on precise specifications, in order to solve specific applications for our customers.

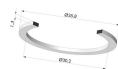
Excellent | Good | Low | Poor | Not recommended  
 \*FDA and/or EC certificate may be requested for various references at the time of order; please contact us.  
 \*\* Food contact certification: (EC) 1935/2004 - (FDA) 21 CFR 177.2600  
 \*\*\* Food contact certification: (EC) 10/2011 - (FDA) 21 CFR

**Related products:**



**Bellows Suction Cup 4.5 folds Series 92, Ø 40 mm**

Product reference: 92 40-- A



**Inner Reinforcement Ring - OD 35.8 mm**

Product reference: A40



**Crimped Female Fitting 1/8G**

Product reference: 9M18A



**Rivet for Fitting 9M18A - Aluminium**

Product reference: 9M18A RIV