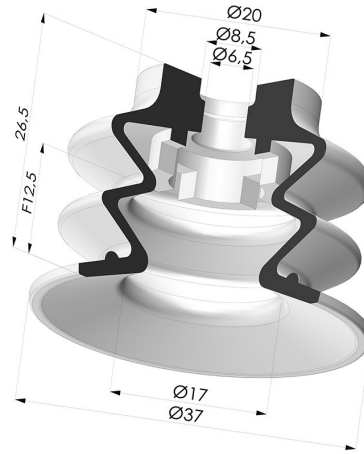


TECHNICAL INFORMATION

- Range :** Suction cup
Category : With bellows
Series : 96
Height (in mm) : 26.5
Shape : 2.5 Bellows
Contact lip diameter : 35 mm
inner barrel diameter : 6.5mm
Number of bellows : 2.5 Bellows
Horizontal force : 42 N
Vertical force : 21 N
Arrow : 12.5 mm



Variants:



Variant reference:
96 35SL A

- Color: Red food-grade CE certification
- Matter: Silicone
- Shore Hardness: SH60



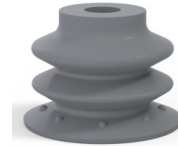
Variant reference:
96 35SLT A

- Color: Translucent
- CE food certified
- Matter: Silicone
- Shore Hardness: SH60



Variant reference:
96 35NI A

- Color: Black
- Matter: Nitrile
- Shore Hardness: SH50



Variant reference:
96 35NR A

- Color: Gray
- Shore Hardness: SH50

Related products:

Bellows Suction Cup 2.5 folds Series 96, Ø 35 mm
 Product reference: 96 35-- 14D-2

Bellows Suction Cup 2.5 folds Series 96, Ø 35 mm
 Product reference: 96 35-- 14D-2-F

Bellows Suction Cup 2.5 folds Series 96, Ø 35 mm
 Product reference: 96 35-- 14D-2-GIC

Bellows Suction Cup 2.5 folds Series 96, Ø 35 mm
 Product reference: 96 35-- 18D-2

Bellows Suction Cup 2.5 folds Series 96, Ø 35 mm
 Product reference: 96 35-- 18D-2-F

Bellows Suction Cup 2.5 folds Series 96, Ø 35 mm
 Product reference: 96 35-- 18D-2-GIC

Bellows Suction Cup 2.5 folds Series 96, Ø 35 mm
 Product reference: 96 35-- 18D-3-BD

Bellows Suction Cup 2.5 folds Series 96, Ø 35 mm
 Product reference: 96 35-- 38D-2

Bellows Suction Cup 2.5 folds Series 96, Ø 35 mm
 Product reference: 96 35-- 38D-2-F

Bellows Suction Cup 2.5 folds Series 96, Ø 35 mm
 Product reference: 96 35-- 38D-2-GIC