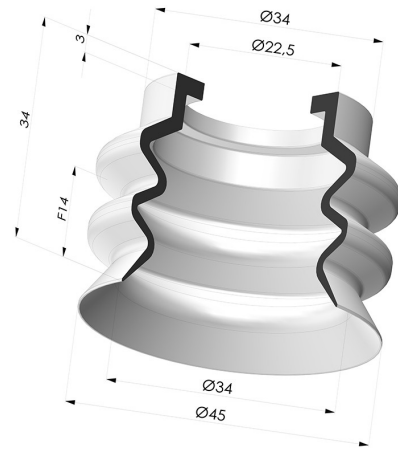
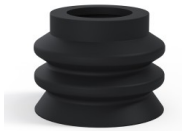


TECHNICAL INFORMATION

Range :	Suction cup
Category :	With bellows
Series :	AR VF
Height (in mm) :	34
Shape :	2.5 Bellows
Contact lip diameter :	45 mm
inner barrel diameter :	22.5mm
Number of bellows :	2.5 Bellows
Horizontal force :	71 N
Vertical force :	36 N
Volume :	5.77 cm ³
Mass :	12.2 g
Arrow :	14 mm



Variants:



Variant reference:

AR VF 45NI A

- Color: Black
- Matter: Nitrile
- Shore Hardness: SH60



Variant reference:

AR VF 45SLT A

- Color: Translucent
- CE food certified
- Matter: Silicone
- Shore Hardness: SH60