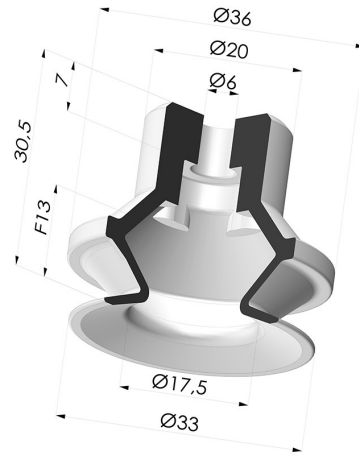


TECHNICAL INFORMATION

Range : Suction cup
Category : With bellows
Series : PBG
Height (in mm) : 30.5
Shape : 1.5 Bellows
Contact lip diameter : 32 mm
inner barrel diameter : 6mm
Number of bellows : 1.5 Bellows
Horizontal force : 32 N
Vertical force : 16 N
Arrow : 13 mm



Variants:



Variant reference:

PBG 30NI A

- Color: Black
- Matter: Nitrile
- Shore Hardness: SH50



Variant reference:

PBG 30SLT A

- Color: Translucent
- CE food certified
- Matter: Silicone
- Shore Hardness: SH60

Related products:



**Adaptor - Female
1/4G - Female M6**

Product reference: ADA
G1/4F M6F



**Adaptor - Male 1/4G
- Female M6**

Product reference: ADA
G1/4M M6F



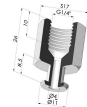
**Adaptor - Female
1/8G - Female M6**

Product reference: ADA
G1/8F M6F



**Adaptor - Male 1/8G
- Female M6**

Product reference: ADA
G1/8M M6F



**Separable Female
Fitting 1/4G**

Product reference: FTF
20B G1/4



**Separable Female
Fitting 1/8G**

Product reference: FTF
20B G1/8



**Separable Male
Fitting 1/4G**

Product reference: FTM
20B G1/4



**Separable Male
Fitting 1/8G**

Product reference: FTM
20B G1/8



**Screw M5 - Head Ø
11 mm - L 12 mm**

Product reference: SCR
20 M5M



**Screw M6 - Head Ø
11 mm - L 17 mm**

Product reference: SCR
20B M6M