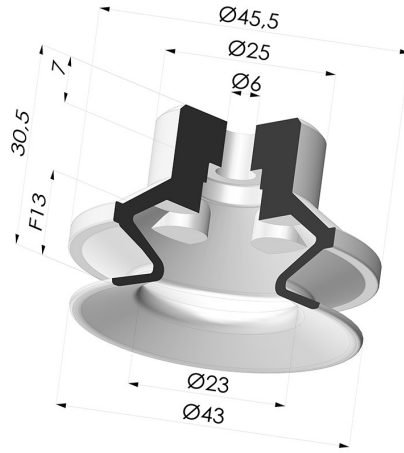
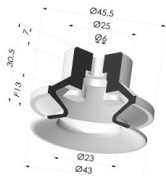


TECHNICAL INFORMATION

- Range :** Suction cup
Category : With bellows
Series : PBG
Height (in mm) : 30.5
Shape : 1.5 Bellows
Contact lip diameter : 43 mm
inner barrel diameter : 6mm
Number of bellows : 1.5 Bellows
Horizontal force : 60 N
Vertical force : 30 N
Arrow : 13 mm



Variants:



Variant reference:

PBG 40NI A

- Color: Black
- Matter: Nitrile
- Shore Hardness: SH50



Variant reference:

PBG 40SLT A

- Color: Translucent
- CE food certified
- Matter: Silicone
- Shore Hardness: SH60



Variant reference:

PBG 40UR A

- Color: Blue
- Matter: Urethane
- Shore Hardness: SH60

Material guide:

	Material	Code	Temperature resistance (°C)	Flexibility	Abrasion resistance	UV/Weather resistance	Oil resistance	Food compatibility	Migration test
	Nitrile Black (Shore SH50)	NI	-10/+80	✓	✓	✗	✓✓	✗	✗
	Silicone Translucent (Shore SH60)	SL T	-60/+250	✓✓✓	✓	✓✓✓	✓	FDA **	✗
	Urethane Blue (Shore SH60)	UR	-20/+80	✓	✓✓✓	✓✓	✓✓	✗	✗

Requests for FDA and/or EC certificates must be made AT THE TIME OF ORDER. Any later request will incur additional charges. To meet the expectations of our industrial customers, NOVACOM offers the widest range of elastomer and thermoplastic materials. We can also develop new materials based on precise specifications, in order to solve specific applications for our customers.

Excellent | Good | Low | Poor | Not recommended
 *FDA and/or EC certificate may be requested for various references at the time of order; please contact us.
 ** Food contact certification: (EC) 1935/2004 - (FDA) 21 CFR 177.2600
 *** Food contact certification: (EC) 10/2011 - (FDA) 21 CFR

Related products:



Adaptor - Female 1/4G - Female M6

Product reference: ADA
G1/4F M6F



Adaptor - Male 1/4G - Female M6

Product reference: ADA
G1/4M M6F



Adaptor - Female 1/8G - Female M6

Product reference: ADA
G1/8F M6F



Adaptor - Male 1/8G - Female M6

Product reference: ADA
G1/8M M6F



Separable Female Fitting 1/4G

Product reference: FTF
20B G1/4



Separable Female Fitting 1/8G

Product reference: FTF
20B G1/8



Separable Male Fitting 1/4G

Product reference: FTM
20B G1/4



Separable Male Fitting 1/8G

Product reference: FTM
20B G1/8



Screw M5 - Head Ø 11 mm - L 12 mm

Product reference: SCR
20 M5M



Screw M6 - Head Ø 11 mm - L 17 mm

Product reference: SCR
20B M6M