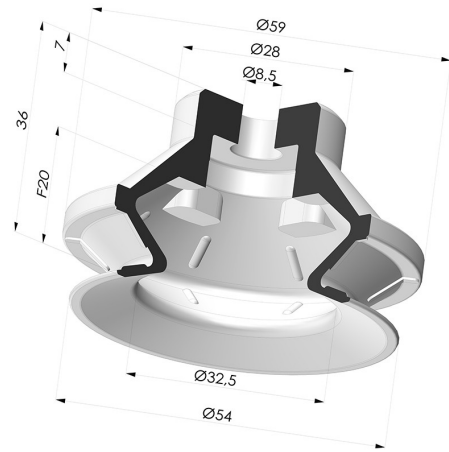


**TECHNICAL INFORMATION**

- Range :** Suction cup  
**Category :** With bellows  
**Series :** PBG  
**Height (in mm) :** 36  
**Shape :** 1.5 Bellows  
**Contact lip diameter :** 54 mm  
**inner barrel diameter :** 8.5mm  
**Number of bellows :** 1.5 Bellows  
**Horizontal force :** 45 N  
**Vertical force :** 90 N  
**Arrow :** 20 mm



**Variants:**



Variant reference:

**PBG 50NI A**

- Color: Black
- Matter: Nitrile
- Shore Hardness: SH50



Variant reference:

**PBG 50SLT A**

- Color: Translucent
- CE food certified
- Matter: Silicone
- Shore Hardness: SH60

**Related products:**



**Adaptor - Female  
1/4G - Female M6**

Product reference: ADA  
G1/4F M6F



**Adaptor - Male 1/4G  
- Female M6**

Product reference: ADA  
G1/4M M6F



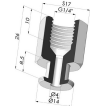
**Adaptor - Female  
1/8G - Female M6**

Product reference: ADA  
G1/8F M6F



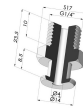
**Adaptor - Male 1/8G  
- Female M6**

Product reference: ADA  
G1/8M M6F



**Separable Female  
Fitting 1/4G**

Product reference: FTF  
50 G1/4



**Separable Male  
Fitting 1/4G**

Product reference: FTM  
50 G1/4



**Separable Male  
Fitting 1/8G**

Product reference: FTM  
50 G1/8



**Screw M5 - Head Ø  
11 mm - L 12 mm**

Product reference: SCR  
20 M5M



**Screw M6 - Head Ø  
11 mm - L 17 mm**

Product reference: SCR  
20B M6M



**Separable Female  
Fitting 1/8G**

Product reference: FTF  
50 G1/8