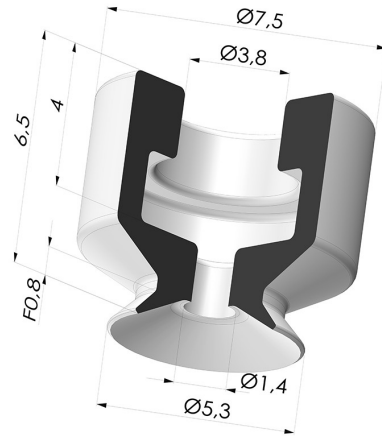


**TECHNICAL INFORMATION**

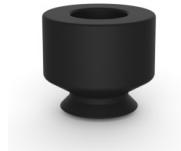
- Range :** Suction cup  
**Category :** Plates  
**Series :** PFG  
**Height (in mm) :** 6.5  
**Shape :** Plate  
**Contact lip diameter :** 5.3 mm  
**inner barrel diameter :** 3.8 mm  
**Number of bellows :** 0.5 Bellows  
**Horizontal force :** 1 N  
**Vertical force :** 0.5 N  
**Arrow :** 0.8 mm



**Variants:**



- Variant reference:  
**PFG 05ASLT A**
- Color: Translucent
  - CE food certified
  - Matter: Silicone
  - Shore Hardness: SH60



- Variant reference:  
**PFG 05ANI A**
- Color: Black
  - Matter: Nitrile
  - Shore Hardness: SH50



- Variant reference:  
**PFG 05AMNT A**
- Color: Bordeaux
  - Matter: Non-staining material
  - Shore Hardness: SH60

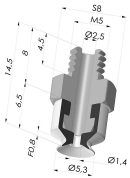
**Material guide:**

	Material	Code	Temperature resistance (°C)	Flexibility	Abrasion resistance	UV/Weather resistance	Oil resistance	Food compatibility	Migration test
	Silicone Translucent (Shore SH60)	SL T	-60/+250	✓✓✓	✓	✓✓✓	✓	FDA **	✗
	Nitrile Black (Shore SH50)	NI	-10/+80	✓	✓	✗	✓✓	✗	✗
	Non-staining material Bordeaux (Shore SH60)	MNT	-20/+160	✓	✓	✓✓✓	✓✓✓	✗	✗

Requests for FDA and/or EC certificates must be made AT THE TIME OF ORDER. Any later request will incur additional charges. To meet the expectations of our industrial customers, NOVACOM offers the widest range of elastomer and thermoplastic materials. We can also develop new materials based on precise specifications, in order to solve specific applications for our customers.

Excellent | Good | Low | Poor | Not recommended  
 \*FDA and/or EC certificate may be requested for various references at the time of order; please contact us.  
 \*\* Food contact certification: (EC) 1935/2004 - (FDA) 21 CFR 177.2600  
 \*\*\* Food contact certification: (EC) 10/2011 - (FDA) 21 CFR

## Related products:



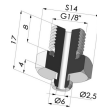
### Flat suction cup series PFTM, Ø 5.3 mm

Product reference: PFTM 5A--  
M5



### Separable Female Fitting 1/8G

Product reference: FTF 5A G1/8



### Separable Male Fitting 1/8G

Product reference: FTM 5A  
G1/8



### Separable Male Fitting M5

Product reference: FTM 5A M5