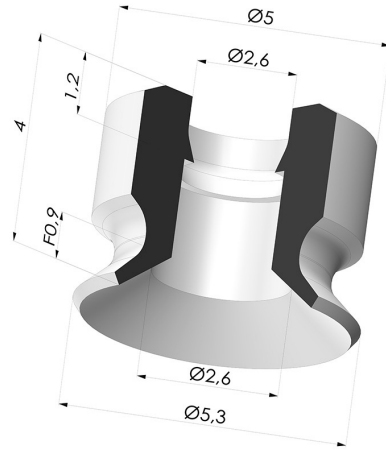


TECHNICAL INFORMATION

Range :	Suction cup
Category :	Plates
Series :	PFG
Height (in mm) :	4
Shape :	Plate
Contact lip diameter :	5.3 mm
inner barrel diameter :	2.6 mm
Number of bellows :	0.5 Bellows
Horizontal force :	1 N
Vertical force :	0.5 N
Arrow :	0.9 mm



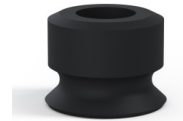
Variants:



Variant reference:

PFG 05SLT A

- Color: Translucent
- CE food certified
- Matter: Silicone
- Shore Hardness: SH60



Variant reference:

PFG 05NI A

- Color: Black
- Matter: Nitrile
- Shore Hardness: SH50