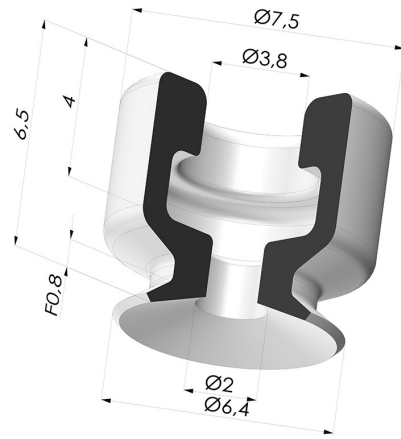


**TECHNICAL INFORMATION**

- Range :** Suction cup  
**Category :** Plates  
**Series :** PFG  
**Height (in mm) :** 6.5  
**Shape :** Plate  
**Contact lip diameter :** 6.4 mm  
**inner barrel diameter :** 3.8 mm  
**Number of bellows :** 0.5 Bellows  
**Horizontal force :** 1.5 N  
**Vertical force :** 0.8 N  
**Arrow :** 0.8 mm



**Variants:**



Variant reference:  
**PFG 06ASLT A**

- Color: Translucent
- CE food certified
- Matter: Silicone
- Shore Hardness: SH60



Variant reference:  
**PFG 06ANI A**

- Color: Black
- Matter: Nitrile
- Shore Hardness: SH50

**Related products:**

**Flat suction cup series  
 PFTM, Ø 6.4 mm**  
 Product reference: PFTM 6A--  
 M5

**Separable Female Fitting  
 1/8G**  
 Product reference: FTF 5A  
 G1/8

**Separable Male Fitting  
 1/8G**  
 Product reference: FTM 5A  
 G1/8

**Separable Male Fitting M5**  
 Product reference: FTM 5A M5