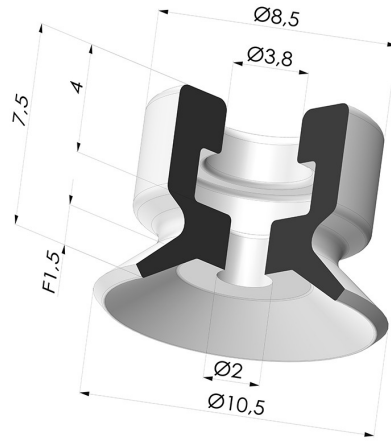


**TECHNICAL INFORMATION**

<b>Range :</b>	Suction cup
<b>Category :</b>	Plates
<b>Series :</b>	PFG
<b>Height (in mm) :</b>	7.5
<b>Shape :</b>	Plate
<b>Contact lip diameter :</b>	10.5 mm
<b>inner barrel diameter :</b>	3.8 mm
<b>Number of bellows :</b>	0.5 Bellows
<b>Horizontal force :</b>	4 N
<b>Vertical force :</b>	2 N
<b>Arrow :</b>	1.5 mm



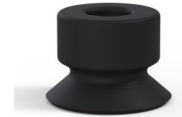
**Variants:**



Variant reference:

**PFG 10ASLT A**

- Color: Translucent
- CE food certified
- Matter: Silicone
- Shore Hardness: SH60



Variant reference:

**PFG 10ANI A**

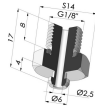
- Color: Black
- Matter: Nitrile
- Shore Hardness: SH50

**Related products:**



**Separable Female Fitting 1/8G**

Product reference: FTF 5A G1/8



**Separable Male Fitting 1/8G**

Product reference: FTM 5A G1/8



**Separable Male Fitting M5**

Product reference: FTM 5A M5