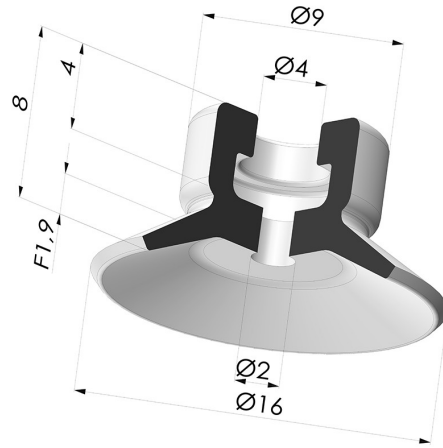


TECHNICAL INFORMATION

Range :	Suction cup
Category :	Plates
Series :	PFG
Height (in mm) :	8
Shape :	Plate
Contact lip diameter :	16 mm
inner barrel diameter :	4 mm
Number of bellows :	0.5 Bellows
Horizontal force :	9 N
Vertical force :	5 N
Arrow :	1.9 mm



Variants:



Variant reference:
PFG 15ASLT A

- Color: Translucent
- CE food certified
- Matter: Silicone
- Shore Hardness: SH60



Variant reference:
PFG 15ANI A

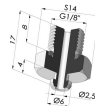
- Color: Black
- Matter: Nitrile
- Shore Hardness: SH50

Related products:



Separable Female Fitting 1/8G

Product reference: FTF 5A G1/8



Separable Male Fitting 1/8G

Product reference: FTM 5A G1/8



Separable Male Fitting M5

Product reference: FTM 5A M5