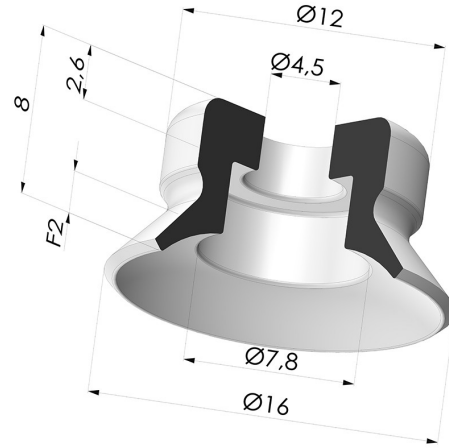


TECHNICAL INFORMATION

- Range :** Suction cup
Category : Plates
Series : PFG
Height (in mm) : 8
Shape : Plate
Contact lip diameter : 16 mm
inner barrel diameter : 4.5 mm
Number of bellows : 0.5 Bellows
Horizontal force : 9 N
Vertical force : 5 N
Arrow : 2 mm



Variants:



- Variant reference:
PFG 15SLT A
- Color: Translucent
 - CE food certified
 - Matter: Silicone
 - Shore Hardness: SH60



- Variant reference:
PFG 15NI A
- Color: Black
 - Matter: Nitrile
 - Shore Hardness: SH50



- Variant reference:
PFG 15UR A
- Color: Blue
 - Matter: Urethane
 - Shore Hardness: SH60

Related products:



Separable Male Fitting 1/8G

Product reference: FTM 15 G1/8 PO



Separable Male Fitting M5

Product reference: FTM 5A M5