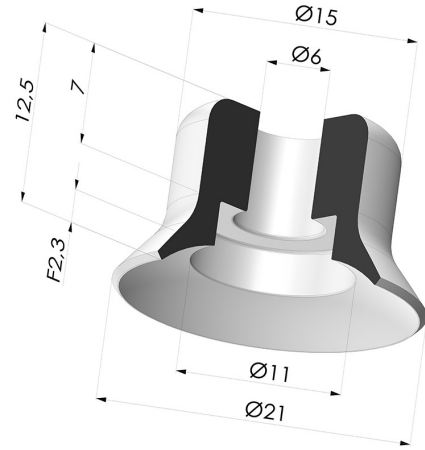


**TECHNICAL INFORMATION**

- Range :** Suction cup  
**Category :** Plates  
**Series :** PFG  
**Height (in mm) :** 12.5  
**Shape :** Plate  
**Contact lip diameter :** 21 mm  
**inner barrel diameter :** 6 mm  
**Number of bellows :** 0.5 Bellows  
**Horizontal force :** 16 N  
**Vertical force :** 8 N  
**Arrow :** 2.3 mm



**Variants:**



- Variant reference:  
**PFG 20BSLT A**
- Color: Translucent
  - CE food certified
  - Matter: Silicone
  - Shore Hardness: SH60



- Variant reference:  
**PFG 20BUR A**
- Color: Blue
  - Matter: Urethane
  - Shore Hardness: SH60



- Variant reference:  
**PFG 20BNI A**
- Color: Black
  - Matter: Nitrile
  - Shore Hardness: SH50

**Related products:**



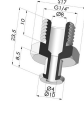
**Separable Female Fitting  
 1/4G**

Product reference: FTF 20B  
 G1/4



**Separable Female Fitting  
 1/8G**

Product reference: FTF 20B  
 G1/8



**Separable Male Fitting  
 1/4G**

Product reference: FTM 20B  
 G1/4



**Separable Male Fitting  
 1/8G**

Product reference: FTM 20B  
 G1/8