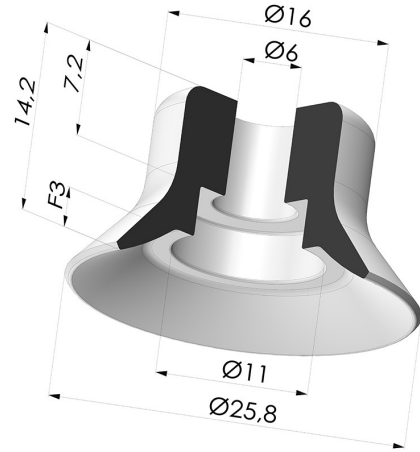


TECHNICAL INFORMATION

- Range :** Suction cup
Category : Plates
Series : PFG
Height (in mm) : 14.2
Shape : Plate
Contact lip diameter : 25.8 mm
inner barrel diameter : 6 mm
Number of bellows : 0.5 Bellows
Horizontal force : 24 N
Vertical force : 12 N
Arrow : 3 mm



Variants:



Variant reference:
PFG 25SLT A

- Color: Translucent
- CE food certified
- Matter: Silicone
- Shore Hardness: SH60



Variant reference:
PFG 25NI A

- Color: Black
- Matter: Nitrile
- Shore Hardness: SH50



Variant reference:
PFG 25MNT A

- Color: Bordeaux
- Matter: Non-staining material
- Shore Hardness: SH60



Variant reference:
PFG 25UR A

- Color: Blue
- Matter: Urethane
- Shore Hardness: SH60

Material guide:

	Material	Code	Temperature resistance (°C)	Flexibility	Abrasion resistance	UV/Weather resistance	Oil resistance	Food compatibility	Migration test
	Silicone Translucent (Shore SH60)	SL T	-60/+250	✓✓✓	✓	✓✓✓	✓	FDA **	✗
	Nitrile Black (Shore SH50)	NI	-10/+80	✓	✓	✗	✓✓	✗	✗
	Non-staining material Bordeaux (Shore SH60)	MNT	-20/+160	✓	✓	✓✓✓	✓✓✓	✗	✗
	Urethane Blue (Shore SH60)	UR	-20/+80	✓	✓✓✓	✓✓	✓✓	✗	✗

Requests for FDA and/or EC certificates must be made AT THE TIME OF ORDER. Any later request will incur additional charges. To meet the expectations of our industrial customers, NOVACOM offers the widest range of elastomer and thermoplastic materials. We can also develop new materials based on precise specifications, in order to solve specific applications for our customers.

Excellent | Good | Low | Poor | Not recommended
 *FDA and/or EC certificate may be requested for various references at the time of order; please contact us.
 ** Food contact certification: (EC) 1935/2004 - (FDA) 21 CFR 177.2600
 *** Food contact certification: (EC) 10/2011 - (FDA) 21 CFR

