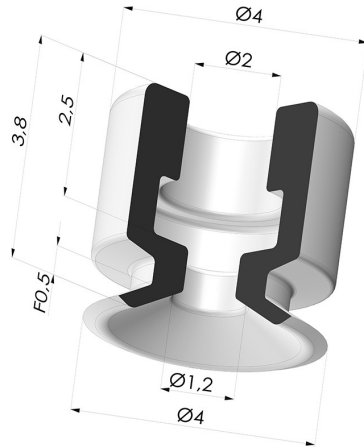


TECHNICAL INFORMATION

Range :	Suction cup
Category :	Plates
Series :	PFG
Height (in mm) :	3.8
Shape :	Plate
Contact lip diameter :	4 mm
inner barrel diameter :	2 mm
Number of bellows :	0.5 Bellows
Horizontal force :	0.59 N
Vertical force :	0.30 N
Arrow :	0.5 mm

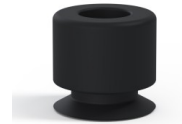


Variants:



Variant reference:
PFG 3.5ASLT A

- Color: Translucent
- Matter: Silicone
- Shore Hardness: SH60



Variant reference:
PFG 3.5ANI A

- Color: Black
- Matter: Nitrile
- Shore Hardness: SH50

Related products:



Separable Male Fitting M5

Product reference: FTM 2A M5