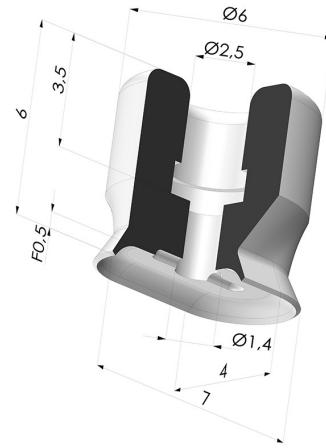


TECHNICAL INFORMATION

Range :	Suction cup
Category :	Oblong
Series :	PFG
Height (in mm) :	6
Shape :	Oblong
Length :	7 mm
Width :	4 mm
inner barrel diameter :	2.5 mm
Number of bellows :	0.5 Bellows
Horizontal force :	1 N
Vertical force :	0.5 N
Arrow :	0.5 mm



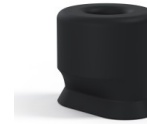
Variants:



Variant reference:

PFG 3.5X7ASLT A

- Color: Translucent
- Matter: Silicone
- Shore Hardness: SH60



Variant reference:

PFG 3.5X7ANI A

- Color: Black
- Matter: Nitrile
- Shore Hardness: SH50