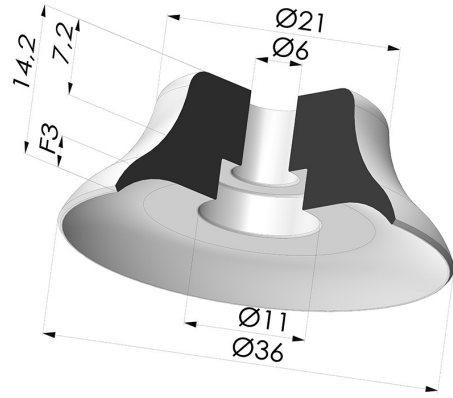


TECHNICAL INFORMATION

- Range :** Suction cup
Category : Plates
Series : PFG
Height (in mm) : 14.2
Shape : Plate
Contact lip diameter : 36 mm
inner barrel diameter : 6 mm
Number of bellows : 0.5 Bellows
Horizontal force : 48 N
Vertical force : 24 N
Arrow : 3 mm



Variants:



- Variant reference:
PFG 35SLT A
- Color: Translucent
 - CE food certified
 - Matter: Silicone
 - Shore Hardness: SH60



- Variant reference:
PFG 35NI A
- Color: Black
 - Matter: Nitrile
 - Shore Hardness: SH50



- Variant reference:
PFG 35UR A
- Color: Blue
 - Matter: Urethane
 - Shore Hardness: SH60

Related products:



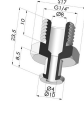
**Separable Female Fitting
 1/4G**

Product reference: FTF 20B
 G1/4



**Separable Female Fitting
 1/8G**

Product reference: FTF 20B
 G1/8



**Separable Male Fitting
 1/4G**

Product reference: FTM 20B
 G1/4



**Separable Male Fitting
 1/8G**

Product reference: FTM 20B
 G1/8