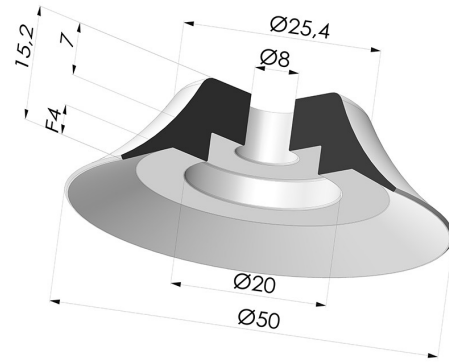


**TECHNICAL INFORMATION**

- Range :** Suction cup  
**Category :** Plates  
**Series :** PFG  
**Height (in mm) :** 15.2  
**Shape :** Plate  
**Contact lip diameter :** 50 mm  
**inner barrel diameter :** 8 mm  
**Number of bellows :** 0.5 Bellows  
**Horizontal force :** 92 N  
**Vertical force :** 46 N  
**Arrow :** 4 mm



**Variants:**



Variant reference:  
**PFG 50SLBLEU A**

- Color: Blue
- Matter: Silicone
- Shore Hardness: SH60



Variant reference:  
**PFG 50SLT A**

- Color: Translucent
- CE food certified
- Matter: Silicone
- Shore Hardness: SH60



Variant reference:  
**PFG 50UR A**

- Color: Blue
- Matter: Urethane
- Shore Hardness: SH60



Variant reference:  
**PFG 50NI A**

- Color: Black
- Matter: Nitrile
- Shore Hardness: SH50

**Material guide:**

	Material	Code	Temperature resistance (°C)	Flexibility	Abrasion resistance	UV/Weather resistance	Oil resistance	Food compatibility	Migration test
	Silicone Blue (Shore SH60)	SBLEU	-60/+250	✓✓✓	✗	✓✓✓	✗	FDA **	✗
	Silicone Translucent (Shore SH60)	SL T	-60/+250	✓✓✓	✓	✓✓✓	✓	FDA **	✗
	Urethane Blue (Shore SH60)	UR	-20/+80	✓	✓✓✓	✓✓	✓✓	✗	✗
	Nitrile Black (Shore SH50)	NI	-10/+80	✓	✓	✗	✓✓	✗	✗

Requests for FDA and/or EC certificates must be made AT THE TIME OF ORDER. Any later request will incur additional charges. To meet the expectations of our industrial customers, NOVACOM offers the widest range of elastomer and thermoplastic materials. We can also develop new materials based on precise specifications, in order to solve specific applications for our customers.

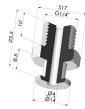
Excellent | Good | Low | Poor | Not recommended  
 \*FDA and/or EC certificate may be requested for various references at the time of order; please contact us.  
 \*\* Food contact certification: (EC) 1935/2004 - (FDA) 21 CFR 177.2600  
 \*\*\* Food contact certification: (EC) 10/2011 - (FDA) 21 CFR

## Related products:



### Separable Female Fitting 1/4G

Product reference: FTF 50 G1/4



### Separable Male Fitting 1/4G

Product reference: FTM 50  
G1/4



### Separable Male Fitting 1/8G

Product reference: FTM 50  
G1/8



### Separable Female Fitting 1/8G

Product reference: FTF 50 G1/8