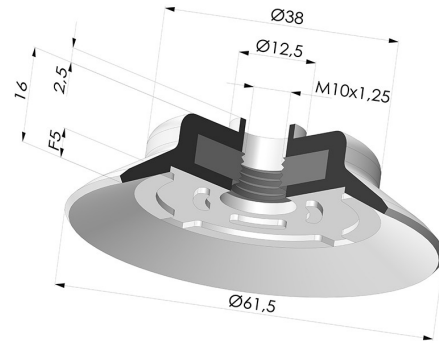


TECHNICAL INFORMATION

- Range :** Suction cup
Category : Plates
Series : PFG
Height (in mm) : 16
Shape : Plate
Contact lip diameter : 61.5 mm
inner barrel diameter : M10x1.25
Number of bellows : 0.5 Bellows
Thread : M10
Horizontal force : 140 N
Vertical force : 70 N
Arrow : 5 mm



Variants:



- Variant reference:
PFG 60SLT A
- Color: Translucent
 - CE food certified
 - Matter: Silicone
 - Shore Hardness: SH60



- Variant reference:
PFG 60NI A
- Color: Black
 - Matter: Nitrile
 - Shore Hardness: SH50

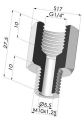
Material guide:

	Material	Code	Temperature resistance (°C)	Flexibility	Abrasion resistance	UV/Weather resistance	Oil resistance	Food compatibility	Migration test
	Silicone Translucent (Shore SH60)	SL T	-60/+250	✓✓✓	✓	✓✓✓	✓	FDA **	✗
	Nitrile Black (Shore SH50)	NI	-10/+80	✓	✓	✗	✓✓	✗	✗

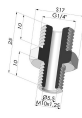
Requests for FDA and/or EC certificates must be made AT THE TIME OF ORDER. Any later request will incur additional charges. To meet the expectations of our industrial customers, NOVACOM offers the widest range of elastomer and thermoplastic materials. We can also develop new materials based on precise specifications, in order to solve specific applications for our customers.

Excellent | Good | Low | Poor | Not recommended
 *FDA and/or EC certificate may be requested for various references at the time of order; please contact us.
 ** Food contact certification: (EC) 1935/2004 - (FDA) 21 CFR 177.2600
 *** Food contact certification: (EC) 10/2011 - (FDA) 21 CFR

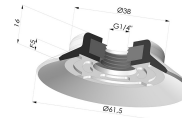
Related products:



Separable Female Fitting 1/4G
 Product reference: FTF 60 G1/4



Separable Male Fitting 1/4G
 Product reference: FTM 60 G1/4



Flat suction cup series PFG, Ø 61.5 mm
 Product reference: PFG 60-- F14