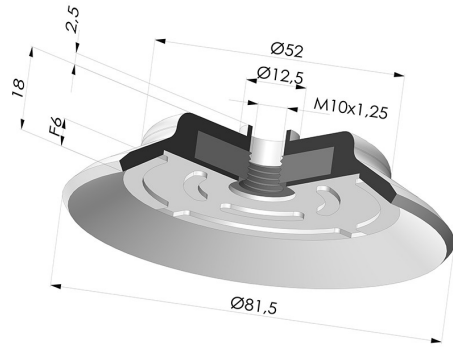


TECHNICAL INFORMATION

Range :	Suction cup
Category :	Plates
Series :	PFG
Height (in mm) :	18
Shape :	Plate
Contact lip diameter :	81.5 mm
inner barrel diameter :	M10x1.25
Number of bellows :	0.5 Bellows
Horizontal force :	245 N
Vertical force :	123 N
Arrow :	6 mm



Variants:



Variant reference:

PFG 80SLT A

- Color: Translucent
- CE food certified
- Matter: Silicone
- Shore Hardness: SH60

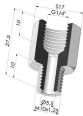


Variant reference:

PFG 80NI A

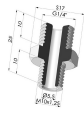
- Color: Black
- Matter: Nitrile
- Shore Hardness: SH50

Related products:



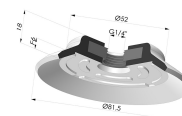
Separable Female Fitting 1/4G

Product reference: FTF 60 G1/4



Separable Male Fitting 1/4G

Product reference: FTM 60 G1/4



Flat suction cup series PFG, Ø 81.5 mm

Product reference: PFG 80-- F14