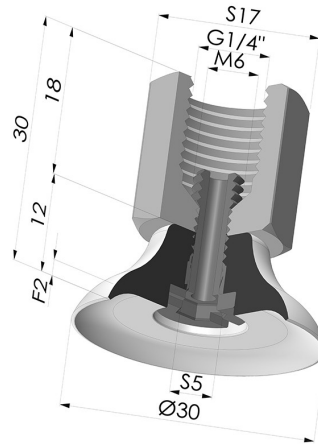
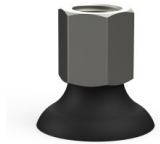


TECHNICAL INFORMATION

Range :	Suction cup
Category :	Plates
Series :	PFTF
Height (in mm) :	30
Shape :	Plate
Contact lip diameter :	30 mm
inner barrel diameter :	Female G1/4"
Number of bellows :	0.5 Bellows
Outer diameter :	30 mm
Horizontal force :	32 N
Vertical force :	16 N
Arrow :	2 mm



Variants:



Variant reference:

PFTF 30NI 1/4

- Color: Black
- Matter: Nitrile
- Shore Hardness: SH50



Variant reference:

PFTF 30SLT 1/4

- Color: Translucent
- CE food certified
- Matter: Silicone
- Shore Hardness: SH60