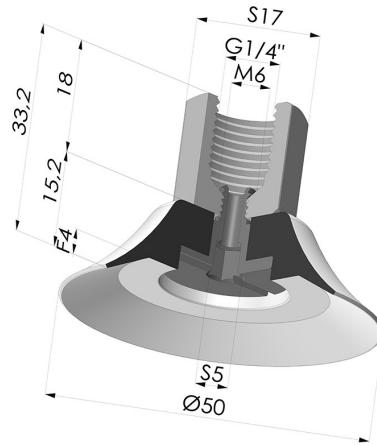


TECHNICAL INFORMATION

Range :	Suction cup
Category :	Plates
Series :	PFTF
Height (in mm) :	33
Shape :	Plate
Contact lip diameter :	50 mm
inner barrel diameter :	Female G1/4"
Number of bellows :	0.5 Bellows
Outer diameter :	50 mm
Horizontal force :	90 N
Vertical force :	45 N
Arrow :	4 mm



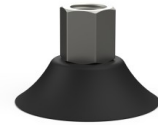
Variants:



Variant reference:

PFTF 50SLT 1/4

- Color: Translucent
- Matter: Silicone
- Shore Hardness: SH60



Variant reference:

PFTF 50NI 1/4

- Color: Black
- Matter: Nitrile
- Shore Hardness: SH50