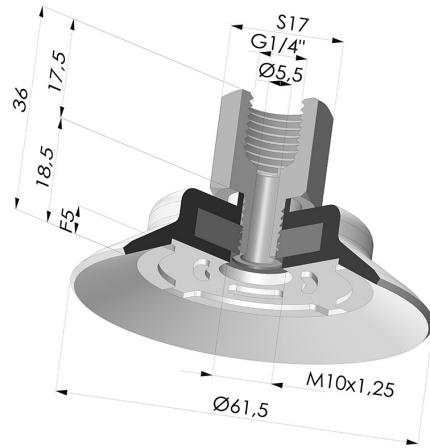


TECHNICAL INFORMATION

Range :	Suction cup
Category :	Plates
Series :	PFTF
Height (in mm) :	36
Shape :	Plate
Contact lip diameter :	61.5 mm
inner barrel diameter :	6.1 mm
Number of bellows :	0.5 Bellows
Outer diameter :	62 mm
Horizontal force :	135 N
Vertical force :	67.5 N
Arrow :	5 mm



Variants:



Variant reference:

- PFTF 60NI 1/4**
- Color: Black
- Matter: Nitrile
- Shore Hardness: SH50