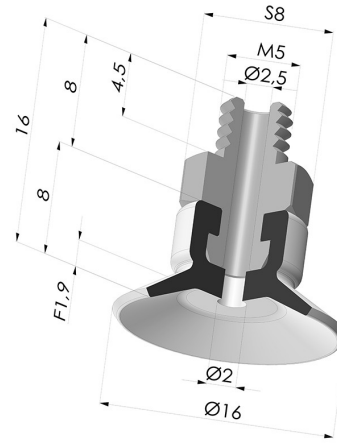


**TECHNICAL INFORMATION**

<b>Range :</b>	Suction cup
<b>Category :</b>	Plates
<b>Series :</b>	PFTM
<b>Height (in mm) :</b>	16
<b>Shape :</b>	Plate
<b>Contact lip diameter :</b>	16 mm
<b>inner barrel diameter :</b>	M5
<b>Number of bellows :</b>	0.5 Bellows
<b>Horizontal force :</b>	9 N
<b>Vertical force :</b>	4.5 N
<b>Arrow :</b>	2 mm



**Variants:**



Variant reference:

**PFTM 15ASLT M5M**

- Color: Translucent
- Matter: Silicone
- Shore Hardness: SH60