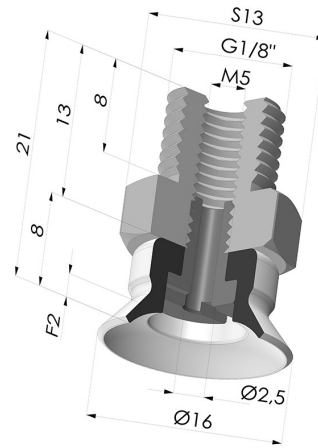


TECHNICAL INFORMATION

Range :	Suction cup
Category :	Plates
Series :	PFTM
Height (in mm) :	21
Shape :	Plate
Contact lip diameter :	16 mm
inner barrel diameter :	Male G1/8"
Number of bellows :	0.5 Bellows
Horizontal force :	9 N
Vertical force :	4.5 N
Arrow :	2 mm



Variants:



Variant reference:

PFTM 15SLT 1/8

- Color: Translucent
- Matter: Silicone
- Shore Hardness: SH60