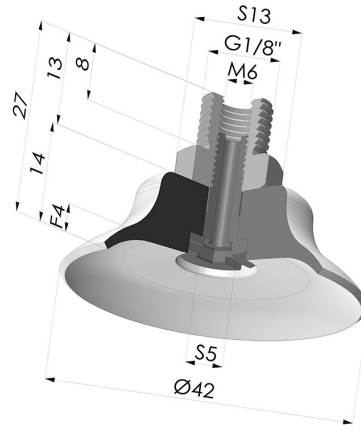


TECHNICAL INFORMATION

Range :	Suction cup
Category :	Plates
Series :	PFTM
Height (in mm) :	27
Shape :	Plate
Contact lip diameter :	42 mm
inner barrel diameter :	Male G1/8"
Number of bellows :	0.5 Bellows
Horizontal force :	63 N
Vertical force :	31.5 N
Arrow :	4 mm



Variants:



Variant reference:

PFTM 40SLT 1/8

- Color: Translucent
- CE food certified
- Matter: Silicone
- Shore Hardness: SH60