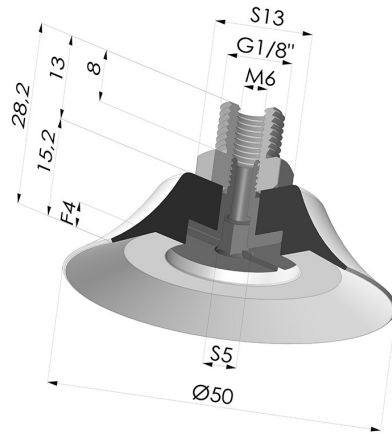


TECHNICAL INFORMATION

Range :	Suction cup
Category :	Plates
Series :	PFTM
Height (in mm) :	28.2
Shape :	Plate
Contact lip diameter :	50 mm
inner barrel diameter :	M6
Number of bellows :	0.5 Bellows
Horizontal force :	90 N
Vertical force :	45 N
Arrow :	4 mm



Variants:



Variant reference:
PFTM 50SLT 1/8

- Color: Translucent
- Matter: Silicone
- Shore Hardness: SH60



Variant reference:
PFTM 50NI 1/8

- Color: Black
- Matter: Nitrile
- Shore Hardness: SH50