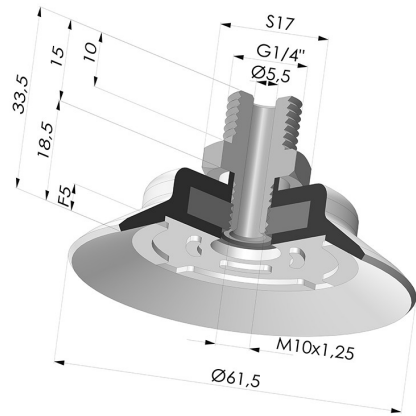


TECHNICAL INFORMATION

Range :	Suction cup
Category :	Plates
Series :	PFTM
Height (in mm) :	33.5
Shape :	Plate
Contact lip diameter :	61.5 mm
inner barrel diameter :	Male G1/4"
Number of bellows :	0.5 Bellows
Horizontal force :	135 N
Vertical force :	67.5 N
Arrow :	5 mm



Variants:



Variant reference:

PFTM 60SLT 1/4

- Color: Translucent
- Matter: Silicone
- Shore Hardness: SH60



Variant reference:

PFTM 60NI 1/4

- Color: Black
- Matter: Nitrile
- Shore Hardness: SH50