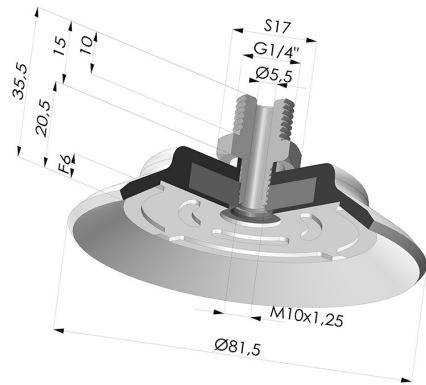


TECHNICAL INFORMATION

Range :	Suction cup
Category :	Plates
Series :	PFTM
Height (in mm) :	35.5
Shape :	Plate
Contact lip diameter :	81.5 mm
inner barrel diameter :	Male G1/4"
Number of bellows :	0.5 Bellows
Horizontal force :	237 N
Vertical force :	118.5 N
Arrow :	6 mm



Variants:



Variant reference:

PFTM 80SLT 1/4

- Color: Translucent
- CE food certified
- Matter: Silicone
- Shore Hardness: SH60



Variant reference:

PFTM 80NI 1/4

- Color: Black
- Matter: Nitrile
- Shore Hardness: SH50