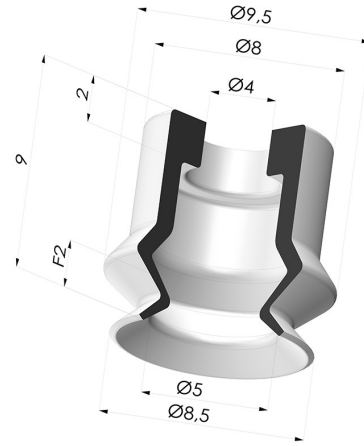
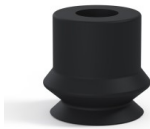


TECHNICAL INFORMATION

Range :	Suction cup
Category :	With bellows
Series :	PJG
Height (in mm) :	9
Shape :	1.5 Bellows
Contact lip diameter :	8.4 mm
inner barrel diameter :	4mm
Number of bellows :	1.5 Bellows
Horizontal force :	2.5 N
Vertical force :	1.7 N
Arrow :	2 mm



Variants:



Variant reference:

PJG 08NI A

- Color: Black
- Matter: Nitrile
- Shore Hardness: SH50



Variant reference:

PJG 08SLT A

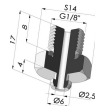
- Color: Translucent
- CE food certified
- Matter: Silicone
- Shore Hardness: SH60

Related products:



Separable Female Fitting 1/8G

Product reference: FTF 5A G1/8



Separable Male Fitting 1/8G

Product reference: FTM 5A G1/8



Separable Male Fitting M5

Product reference: FTM 5A M5