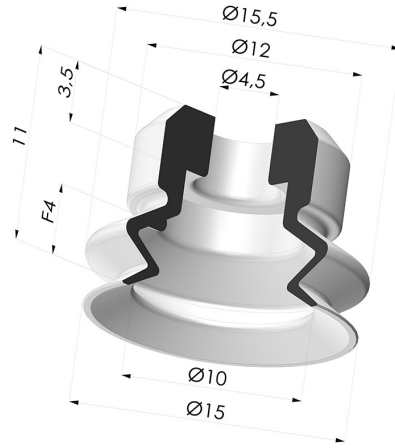


TECHNICAL INFORMATION

Range :	Suction cup
Category :	With bellows
Series :	PJG
Height (in mm) :	11
Shape :	1.5 Bellows
Contact lip diameter :	15 mm
inner barrel diameter :	4.5mm
Number of bellows :	1.5 Bellows
Horizontal force :	7 N
Vertical force :	3.5 N
Arrow :	4 mm



Variants:



Variant reference:

PJG 15NI A

- Color: Black
- Matter: Nitrile
- Shore Hardness: SH50



Variant reference:

PJG 15SLT A

- Color: Translucent
- CE food certified
- Matter: Silicone
- Shore Hardness: SH60

Related products:



**Adaptor - Female
 1/8G - Female M5**

Product reference: ADA
 G1/8F M5F



**Adaptor - Male 1/8G
 - Female M5**

Product reference: ADA
 G1/8M M5F



**Separable Male
 Fitting 1/8G**

Product reference: FTM
 20 G1/8 PO



**Separable Male
 Fitting M5**

Product reference: FTM
 5A M5



**Screw M5 - Head Ø
 8 mm - L 9 mm**

Product reference: SCR
 15 M5M