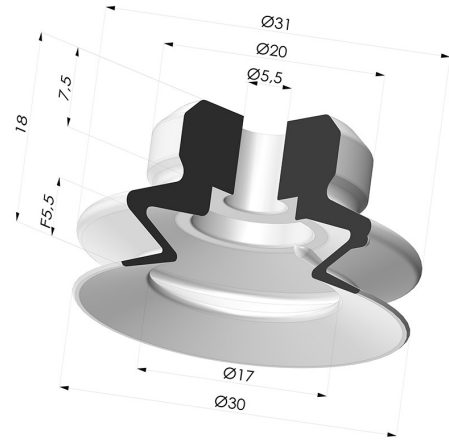


TECHNICAL INFORMATION

- Range :** Suction cup
Category : With bellows
Series : PJG
Height (in mm) : 18
Shape : 1.5 Bellows
Contact lip diameter : 30.2 mm
inner barrel diameter : 5.5mm
Number of bellows : 1.5 Bellows
Horizontal force : 30 N
Vertical force : 15 N
Arrow : 5.5 mm



Variants:



Variant reference:

PJG 30SLT A

- Color: Translucent
- CE food certified
- Matter: Silicone
- Shore Hardness: SH60



Variant reference:

PJG 30NI A

- Color: Black
- Matter: Nitrile
- Shore Hardness: SH50

Related products:



**Adaptor - Female
1/4G - Female M6**

Product reference: ADA
G1/4F M6F



**Adaptor - Male 1/4G
- Female M6**

Product reference: ADA
G1/4M M6F



**Adaptor - Female
1/8G - Female M6**

Product reference: ADA
G1/8F M6F



**Adaptor - Male 1/8G
- Female M6**

Product reference: ADA
G1/8M M6F



**Separable Female
Fitting 1/4G**

Product reference: FTF
20B G1/4



**Separable Female
Fitting 1/8G**

Product reference: FTF
20B G1/8



**Separable Male
Fitting 1/4G**

Product reference: FTM
20B G1/4



**Separable Male
Fitting 1/8G**

Product reference: FTM
20B G1/8



**Screw M6 - Head Ø
11 mm - L 17 mm**

Product reference: SCR
20B M6M