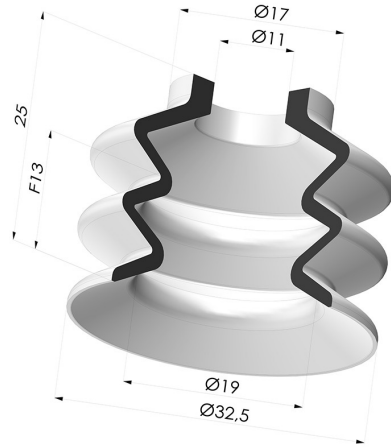


TECHNICAL INFORMATION

Range :	Suction cup
Category :	With bellows
Series :	VCS 2
Height (in mm) :	25
Shape :	2.5 Bellows
Contact lip diameter :	32.5 mm
Top diameter :	11 mm
inner barrel diameter :	11 mm
Number of bellows :	2.5 Bellows
Horizontal force :	36 N
Vertical force :	18 N
Arrow :	13 mm



Variants:



Variant reference:

VCS 2 32B

- Color: Blue
- Matter: Vinyl
- Shore Hardness: SH50