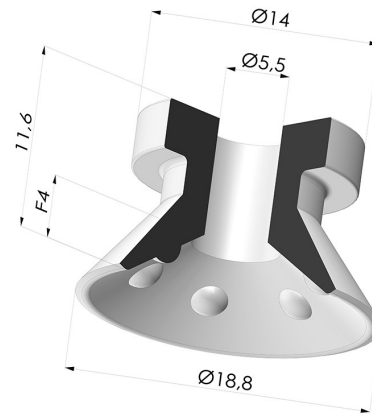


TECHNICAL INFORMATION

Range :	Suction cup
Category :	Plates
Series :	VCP
Height (in mm) :	12
Shape :	Plate
Contact lip diameter :	18.8 mm
Top diameter :	5.5 mm
inner barrel diameter :	5.5 mm
Number of bellows :	0.5 Bellows
Horizontal force :	12.5 N
Vertical force :	6.5 N
Arrow :	4 mm



Variants:



Variant reference:

VCP 19A

- Color: Blue
- Matter: Vinyl
- Shore Hardness: SH50

Related products:



Separable Male Fitting G1/8"

Product reference: 9P18