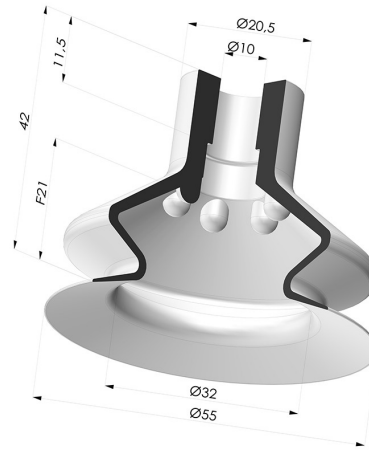


TECHNICAL INFORMATION

Range :	Suction cup
Category :	With bellows
Series :	AR VF
Height (in mm) :	42
Shape :	1.5 Bellows
Contact lip diameter :	55 mm
Top diameter :	10 mm
inner barrel diameter :	10 mm
Number of bellows :	1.5 Bellows
Horizontal force :	106.5 N
Vertical force :	53.5 N
Volume :	47.33 cm ³
Mass :	14 g
Arrow :	21 mm



Variants:

Variant reference:

AR VF 56PU A

- Color: Blue
- Matter: Thermoplastic
- Shore Hardness: SH70