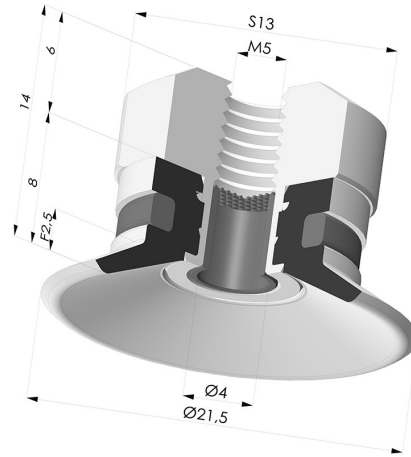


TECHNICAL INFORMATION

Range :	Suction cup
Category :	Plates
Series :	9
Height (in mm) :	14
Shape :	Plate
Contact lip diameter :	21.5 mm
inner barrel diameter :	M5
Number of bellows :	0.5 Bellows
Horizontal force :	14 N
Vertical force :	7 N
Arrow :	2.5 mm



Variants:



Variant reference:
9 20SL FM5F

- Color: Red food-grade CE certification
 - Matter: Silicone
 - Shore Hardness: SH60



Variant reference:
9 20SLT FM5F

- Color: Translucent
 - CE food certified
 - Matter: Silicone
- Shore Hardness: SH60



Variant reference:
9 20NI FM5F

- Color: Black
 - Matter: Nitrile
- Shore Hardness: SH50

Related products:

Flat Suction Cup Series 9, Ø 21.5 mm
 Product reference: 9 20-- A

Separable Female Fitting M5 - with Filter
 Product reference: 9PM5-2-F