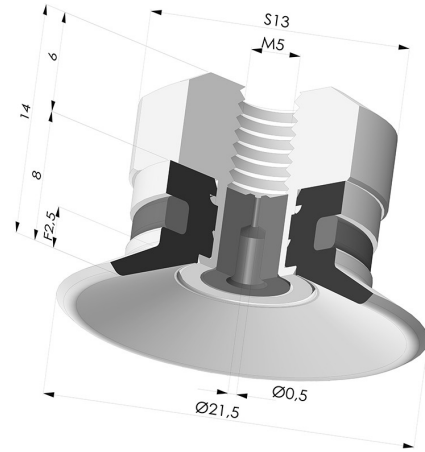


TECHNICAL INFORMATION

- Range :** Suction cup
Category : Plates
Series : 9
Height (in mm) : 14
Shape : Plate
Contact lip diameter : 21.5 mm
inner barrel diameter : M5
Number of bellows : 0.5 Bellows
Horizontal force : 14 N
Vertical force : 7 N
Arrow : 2.5 mm



Variants:



Variant reference:
9 20SL FM5GIC

- Color: Red food-grade CE certification
- Matter: Silicone
- Shore Hardness: SH60



Variant reference:
9 20SLT FM5GIC

- Color: Translucent
- CE food certified
- Matter: Silicone
- Shore Hardness: SH60



Variant reference:
9 20NI FM5GIC

- Color: Black
- Matter: Nitrile
- Shore Hardness: SH50

Related products:

Flat Suction Cup Series 9, Ø 21.5 mm
 Product reference: 9 20-- A

Separable Female Fitting M5 - with Spray Nozzle
 Product reference: 9PM5-2-GIC