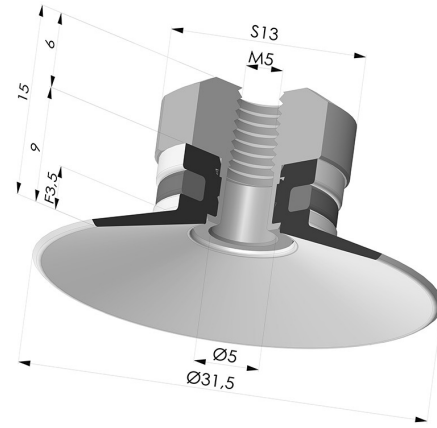


**TECHNICAL INFORMATION**

- Range :** Suction cup  
**Category :** Plates  
**Series :** 9  
**Height (in mm) :** 15  
**Shape :** Plate  
**Contact lip diameter :** 31.5 mm  
**inner barrel diameter :** M5  
**Number of bellows :** 0.5 Bellows  
**Horizontal force :** 32 N  
**Vertical force :** 16 N  
**Arrow :** 3.5 mm

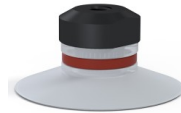


**Variants:**



Variant reference:  
**9 30SL FM5**

- Color: Red food-grade CE certification
  - Matter: Silicone
  - Shore Hardness: SH60



Variant reference:  
**9 30SLT FM5**

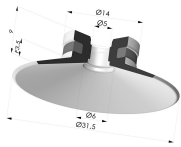
- Color: Translucent
  - CE food certified
  - Matter: Silicone
- Shore Hardness: SH60



Variant reference:  
**9 30NI FM5**

- Color: Black
  - Matter: Nitrile
- Shore Hardness: SH50

**Related products:**



**Flat Suction Cup Series 9, Ø 30 mm**

Product reference: 9 30-- A



**Separable Female Fitting M5**

Product reference: 9PM5-2