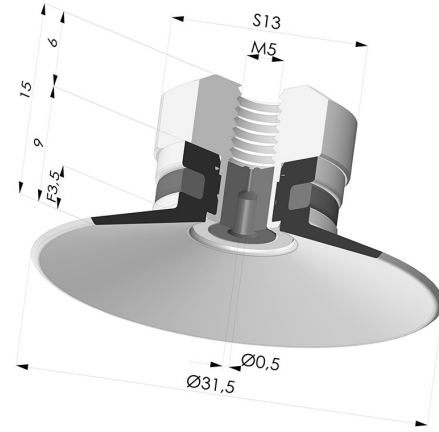


TECHNICAL INFORMATION

- Range :** Suction cup
Category : Plates
Series : 9
Height (in mm) : 15
Shape : Plate
Contact lip diameter : 31.5 mm
inner barrel diameter : M5
Number of bellows : 0.5 Bellows
Horizontal force : 32 N
Vertical force : 16 N
Arrow : 3.5 mm



Variants:



Variant reference:
9 30SL FM5GIC

- Color: Red food-grade CE certification
 - Matter: Silicone
 - Shore Hardness: SH60



Variant reference:
9 30SLT FM5GIC

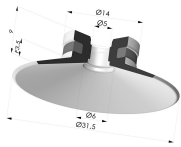
- Color: Translucent
 - CE food certified
 - Matter: Silicone
- Shore Hardness: SH60



Variant reference:
9 30NI FM5GIC

- Color: Black
 - Matter: Nitrile
- Shore Hardness: SH50

Related products:



Flat Suction Cup Series 9, Ø 30 mm

Product reference: 9 30-- A



Separable Female Fitting M5 - with Spray Nozzle

Product reference: 9PM5-2-GIC