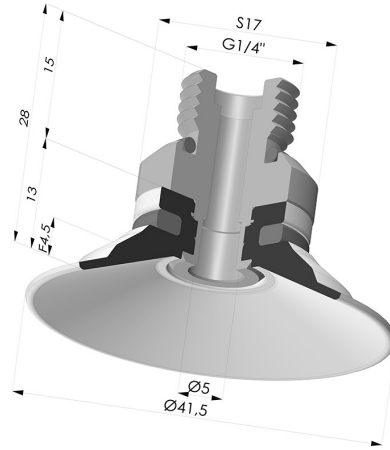


TECHNICAL INFORMATION

Range :	Suction cup
Category :	Plates
Series :	9
Height (in mm) :	28
Shape :	Plate
Contact lip diameter :	41.5 mm
inner barrel diameter :	Male G1/4"
Number of bellows :	0.5 Bellows
Horizontal force :	57.5 N
Vertical force :	29 N
Arrow :	4.5 mm



Variants:



Variant reference:
9 40SL 14D-2

- Color: Red food-grade CE certification
- Matter: Silicone
- Shore Hardness: SH60



Variant reference:
9 40SLT 14D-2

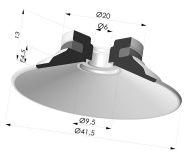
- Color: Translucent
- CE food certified
- Matter: Silicone
- Shore Hardness: SH60



Variant reference:
9 40NI 14D-2

- Color: Black
- Matter: Nitrile
- Shore Hardness: SH50

Related products:



Flat Suction Cup Series 9, Ø 40 mm

Product reference: 9 40-- A



Separable Male Fitting 1/4G

Product reference: 9M14-2