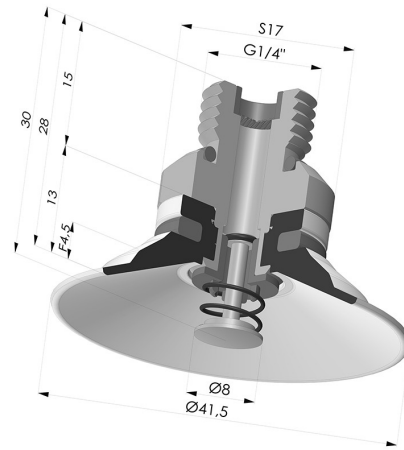


TECHNICAL INFORMATION

| | |
|--------------------------------|-------------|
| Range : | Suction cup |
| Category : | Plates |
| Series : | 9 |
| Height (in mm) : | 30 |
| Shape : | Plate |
| Contact lip diameter : | 41.5 mm |
| inner barrel diameter : | Male G1/4" |
| Number of bellows : | 0.5 Bellows |
| Horizontal force : | 57.5 N |
| Vertical force : | 29 N |
| Arrow : | 4.5 mm |



Variants:



Variant reference:
9 40SL 14D-2-PAL

- Color: Red food-grade CE certification
- Matter: Silicone
- Shore Hardness: SH60



Variant reference:
9 40SLT 14D-2-PAL

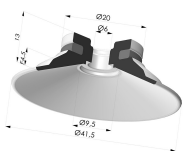
- Color: Translucent
- CE food certified
- Matter: Silicone
- Shore Hardness: SH60



Variant reference:
9 40NI 14D-2-PAL

- Color: Black
- Matter: Nitrile
- Shore Hardness: SH50

Related products:



Flat Suction Cup Series 9, Ø 40 mm

Product reference: 9 40-- A



Separable Male Fitting 1/4G - with Check Valve

Product reference: 9M14-2-PAL